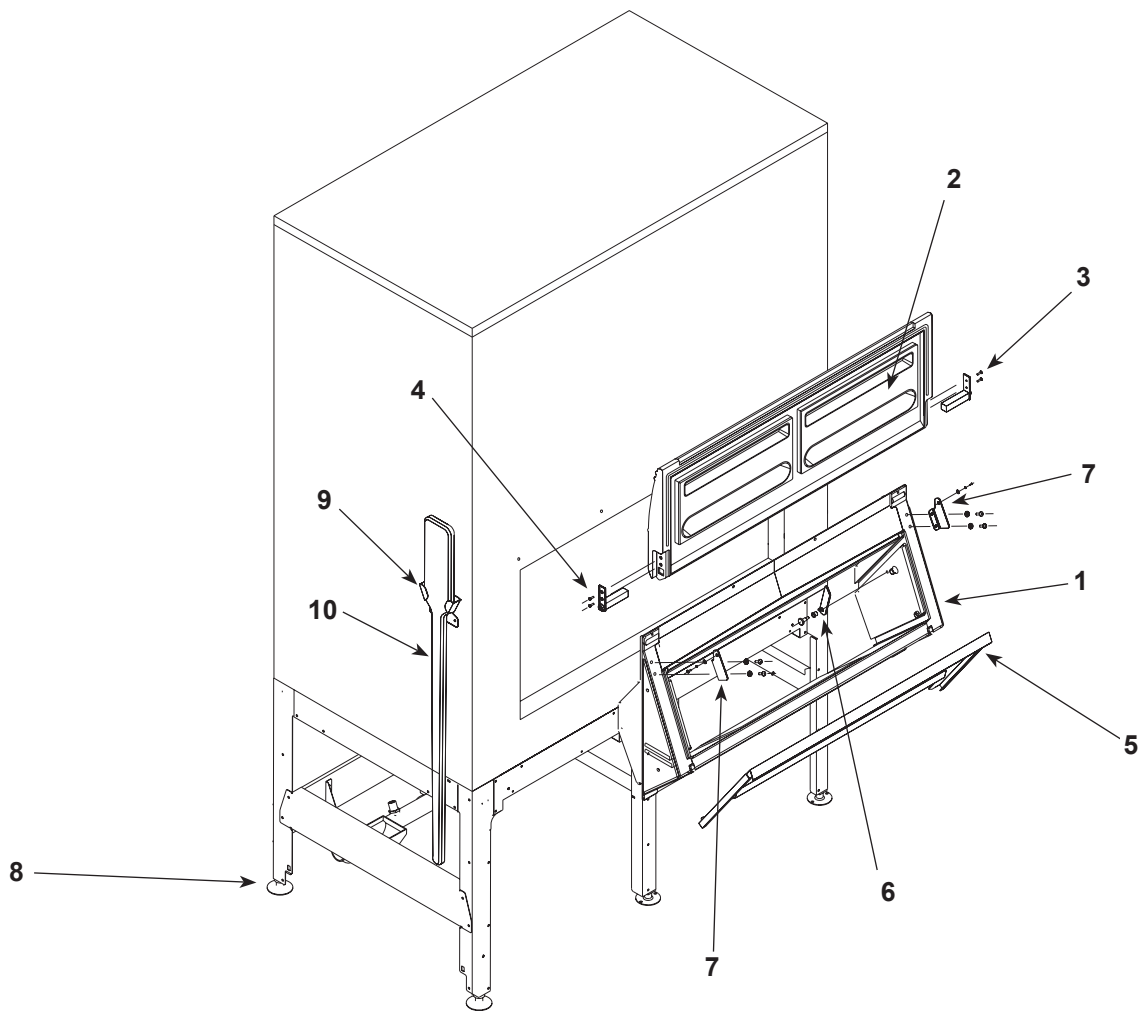


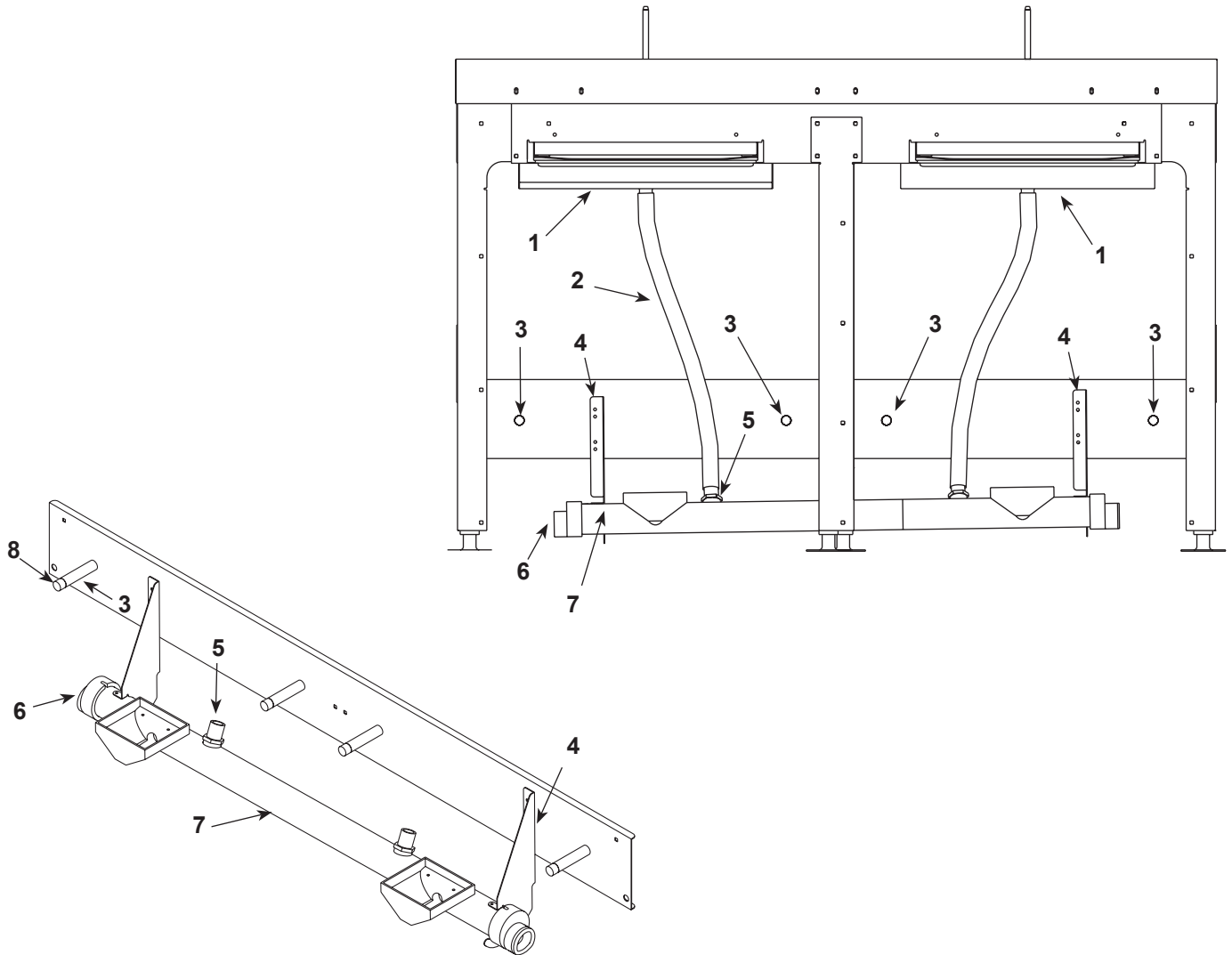
ICS730, ICS1360, ICS1790 Service Parts



| Item Number | Part Number | Description |
|-------------|-------------|--|
| 1 | 02-5188-03 | Frame assembly, lower door, 45", ICS1360 (includes 02-5188-05 & 02-5188-09) |
| 1 | 02-5188-04 | Frame assembly, lower door, 28", ICS730/ICS1790 (includes 02-5188-06 & 02-5188-10) |
| 2 | 02-5188-05 | Door, outer lift, 45", ICS1360 (includes 02-5188-07 & 02-5188-08) |
| 2 | 02-5188-06 | Door, outer lift, 28", ICS730/ICS1790 (includes 02-5188-07 & 02-5188-08) |
| 3 | 02-5188-07 | Hinge, RH door mount (includes hardware) |
| 4 | 02-5188-08 | Hinge, LH door mount (includes hardware) |
| 5 | 02-5188-09 | Ice Gate, 40", ICS1360 |
| 5 | 02-5188-10 | Ice Gate, 24", ICS730/ICS1790 |
| 6 | 02-5188-11 | Catch, Ice Gate |
| 7 | 02-5188-12 | Hinge bracket, bin mount, LH/RH, (pair, includes hardware) |
| Not shown | 02-5189-03 | Strap, hold down |
| 8 | 02-5189-04 | Foot, flanged (1), bolt base |
| 9 | 02-5188-24 | Bracket, ice paddle |
| 10 | 02-5188-23 | Paddle, ice, 59" |
| Not shown | 02-5188-17 | Shovel, ice |
| Not shown | 02-5188-18 | Bracket, ice shovel |

ICS730, ICS1360, ICS1790 Service Parts

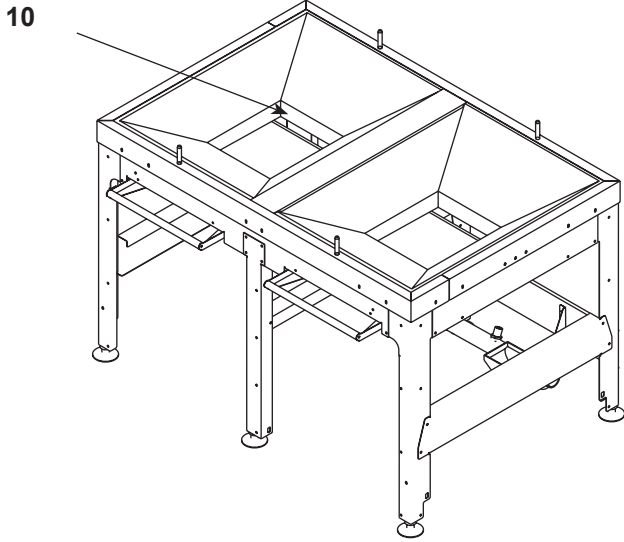
Drain System



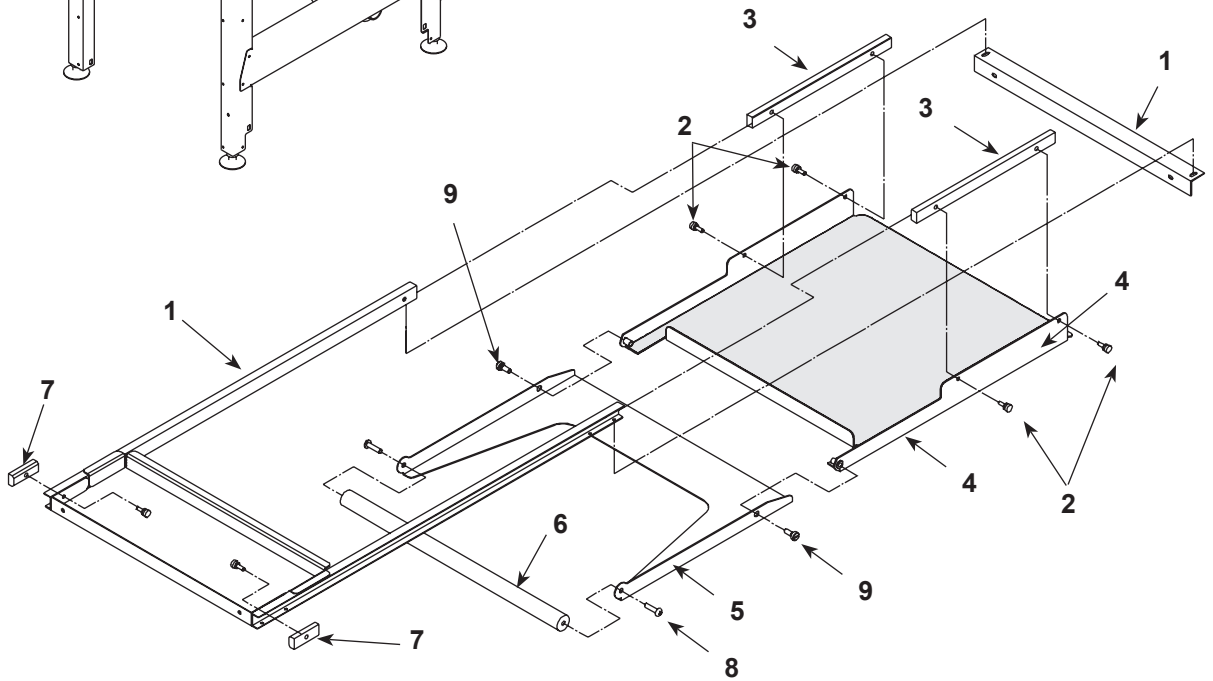
| Item Number | Part Number | Description |
|-------------|-------------|--|
| 1 | 02-5189-05 | Drain pan upper – includes (2) 02-5189-18 |
| 2 | 02-5189-06 | Vertical drain tube |
| 3 | 02-5189-07 | Bumper, and stud – includes 02-5189-14 |
| 4 | 02-5189-08 | Bracket, lower drain trough |
| 5 | 02-5189-09 | Drain fitting, vertical drain tube to lower trough |
| 6 | 02-5189-10 | End cap, lower drain trough |
| 7 | 02-5189-11 | Drain trough, ICS730 – includes (2) 02-5189-10 |
| 7 | 02-5189-12 | Drain trough, ICS1360 – includes (2) 02-5189-10 |
| 7 | 02-5189-13 | Drain trough, ICS1790 – includes (2) 02-5189-10 |
| 8 | 02-5189-14 | Cap, bumper |

ICS730, ICS1360, ICS1790 Service Parts

Multi-Bay Joint Cover

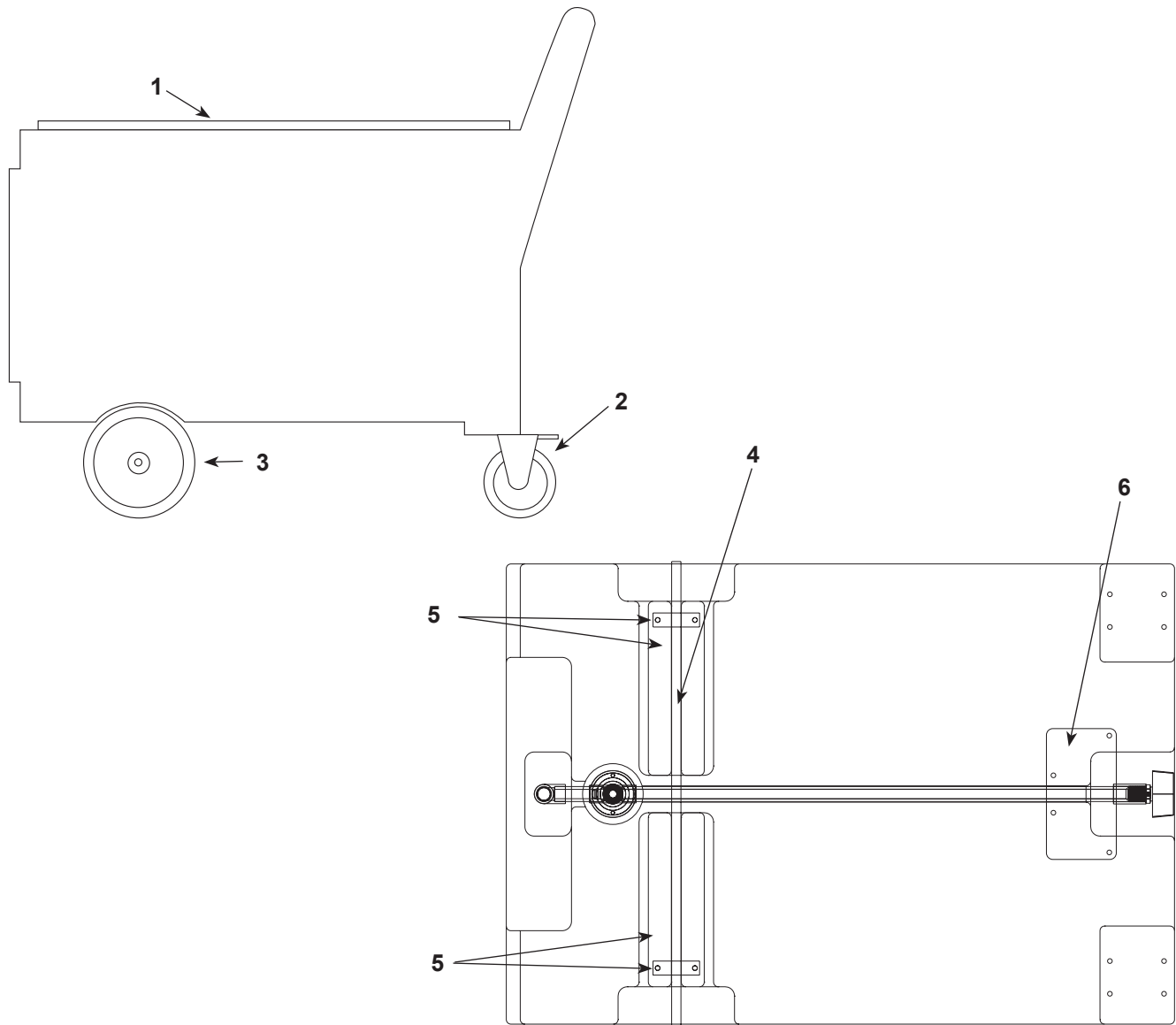


Shutter Door Assembly



| Item Number | Part Number | Description |
|-------------|-------------|--|
| 1 | 02-5189-17 | Track, shutter door – includes (2) 02-5189-23, (8) 02-5189-18 |
| 2 | 02-5189-18 | Thumbscrew, 10-32 X 1/2" |
| 3 | 02-5189-19 | Bearings (2), shutter door, nylon 11-7/16" – includes (4) 02-5189-18 |
| 4 | 02-5189-20 | Shutter door – (includes 02-5189-21 and (2) 02-5189-23) |
| 5 | 02-5189-21 | Shutter door, handle assembly – includes 02-5189-22 |
| 6 | 02-5189-22 | Rod handle, shutter door – includes (2) 02-5189-24 |
| 7 | 02-5189-23 | Spacer, bearing – includes 02-5189-18 |
| 8 | 02-5189-24 | Screw, shutter handle rod |
| 9 | 02-5189-25 | Shoulder screw, handle shutter door |
| 10 | 02-5189-26 | Joint cover, ICS1360/ICS1790 |
| Not shown | 02-5189-27 | Ice guide – includes (2) 02-5189-18 |
| Not shown | 02-5189-28 | Bracket, ice guide – includes (2) 02-5189-18 |

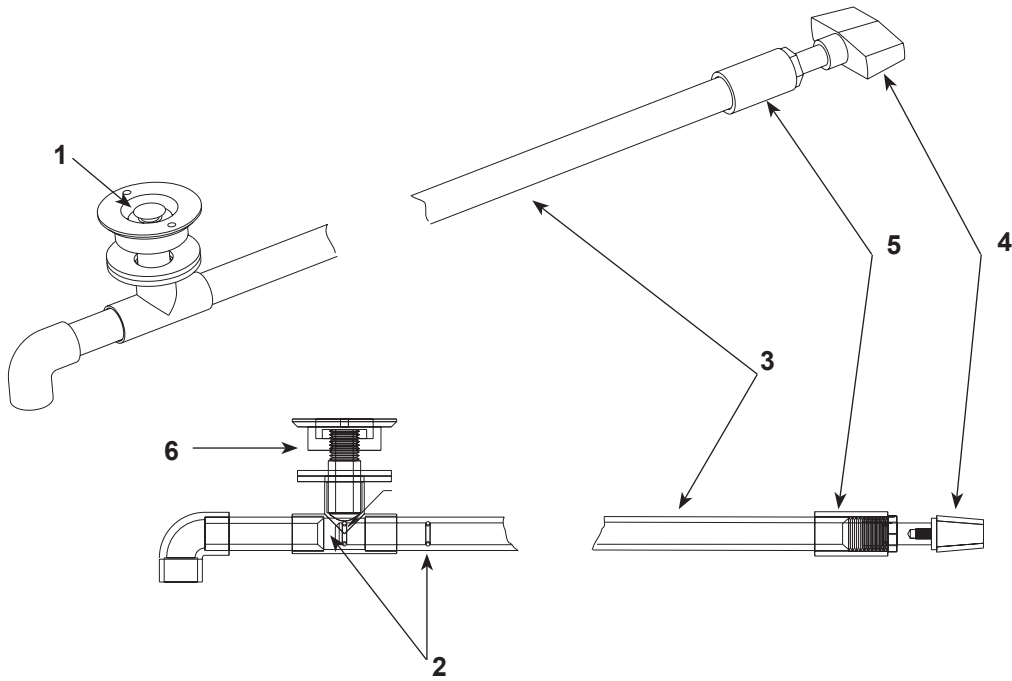
ICS730, ICS1360, ICS1790 Service Parts Cart



| Item Number | Part Number | Description |
|-------------|-------------|---|
| 1 | 02-5189-29 | Lid |
| 2 | 02-5189-30 | Caster, swivel, locking, (includes mounting bolts & lock washers) |
| Not shown | 02-5189-31 | Bushing, 8" wheel, rhombus |
| 3 | 02-5189-32 | Wheel, 8", fixed (includes 2 cotter pins & 2 washers) |
| 4 | 02-5189-33 | Axle, 24.125" (includes 2 cotter pins & 4 washers) |
| 5 | 02-5189-34 | Strap, axle (2 required per axle) |
| 6 | 02-5189-35 | Plate, drain support |
| Not shown | 02-5189-36 | Bracket, lid holder |
| Not shown | 02-5189-37 | Ice removal tote (1) |
| Not shown | 02-5189-38 | Handle, Tote |
| Not shown | 02-5189-39 | Washer, axle |
| Not shown | 02-5189-40 | Cotter pin |

ICS730, ICS1360, ICS1790 Service Parts

Cart Drain



| Item Number | Part Number | Description |
|-------------|-------------|--|
| All | 02-5189-41 | Drain assembly (includes entire assembly shown) |
| 1 | 02-5189-42 | Vent plug |
| 2 | 02-5189-43 | O-ring, drain assembly |
| 3 | 02-5189-44 | Rod, drain (includes 02-5189-35 plate drain support) |
| 4 | 02-5189-45 | Knob, drain |
| 5 | 02-5189-46 | Retaining bushing |
| 6 | 02-5189-47 | Fitting, drain assembly |